

FortiFone FF-65B

Bluetooth® Module for the FON-460i/560i

This document provides information about the FF-65B installation.

Package contents

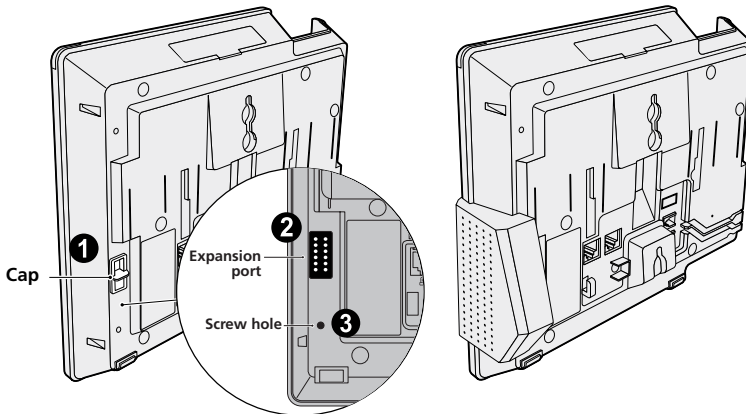
The following items are included in your FF-65B package. Before installation, ensure that you have the following package contents:

- FF-65B module
- Installation Guide
- Screw
- RJ11 cable

Installation procedures

Caution! Before installing the FF-65B module, unplug the power supply and LAN cable.

1. Remove the cap from the expansion port.
2. Plug the expansion cable into the port.
3. Secure the module with the screw.




4. Plug the RJ11 cable from the headset port on the phone to the RJ11 port on the *Bluetooth* module.

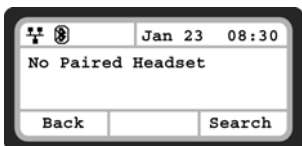
If the FF-65B has been correctly installed, the *Bluetooth* LED on the module will automatically turn on when the phone is powered up.

Connecting a *Bluetooth* device for the first time

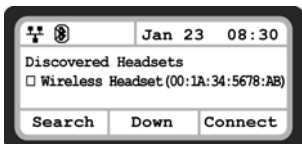
A *Bluetooth* device must be paired with the FF-65B Bluetooth module before it can be used.


To connect a new headset or smartphone:

1. Press the  button.
2. Press 3 to access the *Phone Settings* menu.
3. Press 1 2 to access the *Bluetooth* menu.
4. Press 1 to access the *Headset* or 2 to access the *Smart Phone* menu.
5. Press the *Search* softkey. The phone will search for nearby *Bluetooth* devices.



6. Locate your *Bluetooth* device from the list using the *Down* softkey, then press the *Connect* softkey.



7. Once you have successfully connected, the second LED (for smartphones) or third LED (for headsets) will turn on.
8. Press the  button to exit the configuration session.

For additional information on using a *Bluetooth* device with the FF-65B *Bluetooth* module installed, please read the telephone's User Guide at <http://docs.fortinet.com>.

